

PAUL MATTER

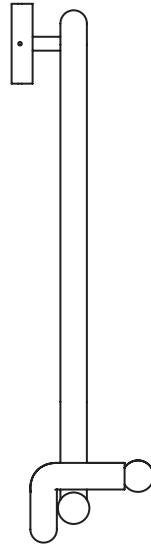
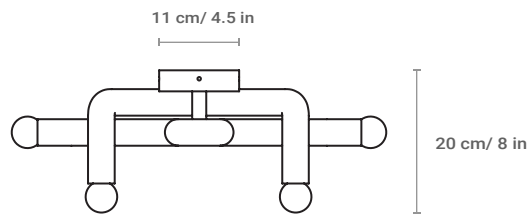
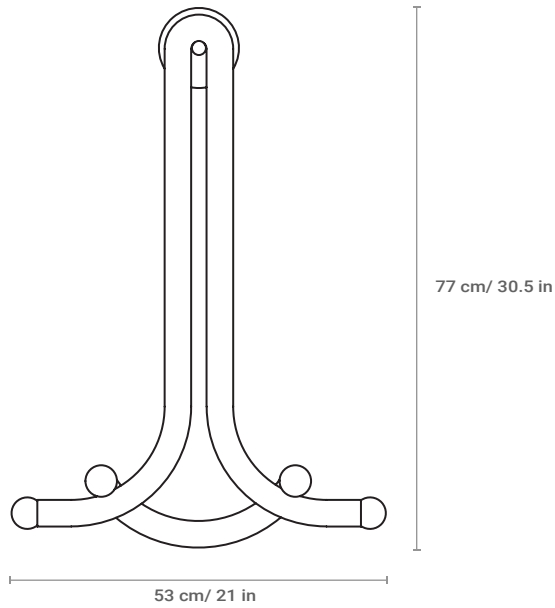
GOD SCONCE

Technical specifications

The pair of sconce explore the relationship between two interlocked forms in perfect union and balance. A study of form and function that evokes the grace and strength of the contributor where one form simply rests on the other, implying counterweight quality. The electricity seamlessly flows within. Intended to be wall mounted together or individually.



PAUL MATTER



GOD SCONCE

Technical specifications

Type	Wall Sconce
Material	Brass and porcelain finish glass
Dimension	112W 206L (cm) / 44W 81L (in)
Weight	5 kg approx
Voltage	220-240V/110-120V
Bulbs included	Quantity x4 E14/E12 base CE/UL certified 4W 220Lm 2000 - 2800K Dimmable led bulb
Bulb life	15,000 Hours
Dimming	TRIAC
Bulb Warranty	2 Years
Box	20H 54W 81L (cm) / 7.8H 21.3W 32L (in) - 8kg approx
Lead-time	8 weeks. Finished and assembled by hand.

Notes

- Dimensions may vary by up to one inch.
- Contact us at info@paulmatter.com for details on our list of recommended dimmers.

PAUL MATTER

GOD SCONCE

Finishes

Paul Matter finishes are created in our studio, using age old techniques, by our team of artisans. Raw brass is polished to mirror like perfection or patinated to reveal the layers of the material. All finishes are unlacquered and hand sealed with a light layer of wax to allow it to age with time. All our products are completely handcrafted and finished by hand.



Buff brass



Brushed brass



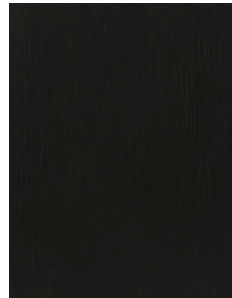
Aged brass



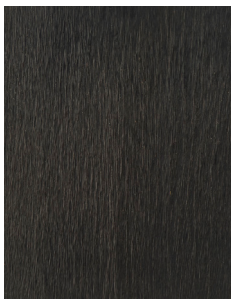
Dark aged brass



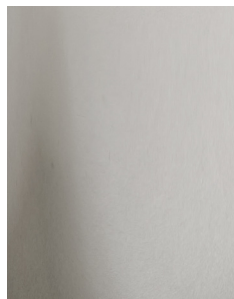
Textured aged brass



Burnt brass



Textured burnt brass



Buff steel



Brushed steel